

Technical characteristics eCon 7050-A, 7050-B, 7100-A, 7100-B

Ethernet interface

Number of ports	5x, 10x 10/100Base-T(X)
Cable types	Shielded Twisted Pair (STP) or Unshielded Twisted Pair (UTP), Category 5
Data rate	10 Mbit/s or 100 Mbit/s
Maximum cable length	100 m (with Category 5 cable acc. to EN 50 173)
Termination, device-side	Han® 3 A RJ45 (female) M12, D-coding (female)
Diagnostics (via LED)	<ul style="list-style-type: none"> • Status Link – Green • Data transfer (Act) – Yellow flashing
Topology	Line, Star or mixed

Power supply

Input voltage	24 V DC (16.8 to 30 V DC)
Termination, device-side	Han® 4 A (male), redundant power supply (including fixing screw 09 20 000 9918, to maintain IP 67), M12, A-coding (male)
Diagnostic (via LED)	Power supply – Green

Alarm signalling contact (eCon 7100 only)

Termination, device-side	Change-over contact, potential-free, 24 V DC / 0.5 A
Diagnostic (via LED)	Error – Red

Design features

	eCon 7050	eCon 7100
Housing material	Zinc die-cast	Zinc die-cast
Dimensions (W x H x D)	45 x 120 x 87 mm	90 x 120 x 87 mm
Degree of protection acc. to DIN 60529	IP 65 / IP 67	IP 65 / IP 67
Mounting	35 mm top-hat rail acc. to EN 60715, Panel mounting, vertical assembly, Panel mounting, flat assembly	Panel mounting, vertical assembly
Weight	approx. 0.8 kg	approx. 1.4 kg

Environmental conditions

Operating temperature	–40 °C to +70 °C
Storage temperature	–40 °C to +85 °C
Relative humidity	10 % to 95 % (non-condensing)

Technical characteristics eCon 7050-A1, 7050-B1, 7100-AA

Ethernet interface

Number of ports	5x, 10x 10/100Base-T(X) eCon 7100-AA: 2x 10/100/1000Base-T(X)										
Cable types	Shielded Twisted Pair (STP) or Unshielded Twisted Pair (UTP), Category 5										
Data rate	10 Mbit/s or 100 Mbit/s or 1000 Mbit/s (eCon 7100-AA only)										
Maximum cable length	100 m (with Category 5 cable acc. to EN 50 173)										
Termination, device-side	Han® 3 A RJ45 (female) / M12, D-coding (female)										
Diagnosics (via LED)	<ul style="list-style-type: none"> • Status Link (Link/Act) <table border="0" style="margin-left: 20px;"> <tr> <td>Green</td> <td>terminal device is connected</td> </tr> <tr> <td>Green flashing</td> <td>data transmission in process</td> </tr> </table> • Transfer rate (Speed) <table border="0" style="margin-left: 20px;"> <tr> <td>OFF</td> <td>10 Mbit/s</td> </tr> <tr> <td>Yellow</td> <td>100 Mbit/s</td> </tr> <tr> <td>Green</td> <td>1000 Mbit/s (eCon 7100-AA only)</td> </tr> </table> 	Green	terminal device is connected	Green flashing	data transmission in process	OFF	10 Mbit/s	Yellow	100 Mbit/s	Green	1000 Mbit/s (eCon 7100-AA only)
Green	terminal device is connected										
Green flashing	data transmission in process										
OFF	10 Mbit/s										
Yellow	100 Mbit/s										
Green	1000 Mbit/s (eCon 7100-AA only)										
Topology	Line, Star or mixed										

Power supply

Input voltage	24 / 48 V DC (12 to 60 V DC)
Termination, device-side	Han® 4 A (male), redundant power supply (including fixing screw 09 20 000 9918, to maintain IP 67), M12, A-coding (male)
Diagnostic (via LED)	Power supply – Green

Alarm signalling contact (eCon 7100 only)

	Change-over contact, potential-free, 24 V DC / 0.5 A
Termination, device-side	Han® 3 A (male) M12, D-coding (male)
Diagnostic (via LED)	Error – Red

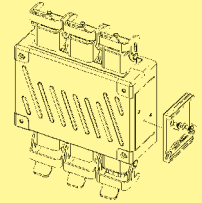
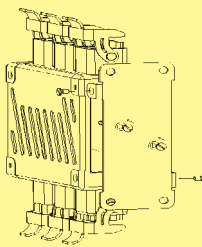
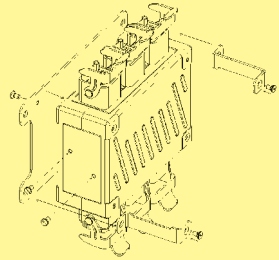
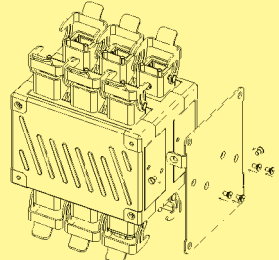
Design features

	eCon 7050	eCon 7100
Housing material	Zinc die-cast	Zinc die-cast
Dimensions (W x H x D)	45 x 120 x 87 mm	90 x 120 x 87 mm
Degree of protection acc. to DIN 60529	IP 65 / IP 67	IP 65 / IP 67
Mounting	35 mm top-hat rail acc. to EN 60715, Panel mounting, vertical assembly, Panel mounting, flat assembly	Panel mounting, vertical assembly
Weight	approx. 0.8 kg	approx. 1.4 kg

Environmental conditions

Operating temperature	–40 °C to +70 °C
Storage temperature	–40 °C to +85 °C
Relative humidity	10 % to 95 % (non-condensing)

Identification	Part number	
	Power supply	Alarm signalling contact (eCon 7100 only)
Hood metal, straight, metric	19 20 003 1440 ¹⁾	19 20 003 1440
Protection cover Han® 3 A	09 20 003 5426	09 20 003 5426
Han® 4 A female insert	09 20 004 2711	
Han® 3 A female insert		09 20 003 2711
Cable gland metal IP 65, metric M20, cable diameter: 5 - 9 mm	19 00 000 5080	
HARAX® M12-L circular connector A-coding	21 03 212 2305	

Identification	Part number	Drawing	Dimensions in mm
Set for assembly on standard rail according to DIN EN 60 715	20 80 000 0003		
Set for panel mounting vertical assembly	20 80 010 0001		
Set for panel mounting flat assembly	20 80 024 0002		
Set for panel mounting eCon 7100 vertical assembly	20 80 010 0002		

eCon 7000

¹⁾ Order insert fixing screw 09 20 000 9918 separately



Ethernet Switch
HARTING eCon 7050-A
 5-port Ethernet Switch for use in harsh industrial environments

Unmanaged	IP 67	PROFINET compatible <input checked="" type="checkbox"/>	EtherNet/IP compatible <input type="checkbox"/>
-----------	-------	---	---

Number of ports, Copper / Termination	5x 10/100Base-T(X) / Han® 3 A RJ45 (female)*
Input voltage / Termination	24 V DC / Han® 4 A (male)*, redundant power supply
Permissible range (min/max)	16.8 V to 30 V DC
Input current	approx. 110 mA (at 24 V DC)
Housing material	Zinc die-cast
Dimensions (W x H x D)	45 x 120 x 87 mm (without connectors)
Weight	approx. 0.8 kg
Operating temperature	-40 °C to +70 °C
Approvals	cUL (in preparation)

eCon 7000

Identification	Part number	Drawing	Dimensions in mm
----------------	-------------	---------	------------------

<p>HARTING eCon 7050-A Ethernet Switch, unmanaged 5 Han® 3 A RJ45 ports</p>	<p>20 70 305 3921</p>		
--	-----------------------	--	--

* Order insert fixing screw 09 20 000 9918 separately

Ethernet Switch HARTING eCon 7050-B

5-port Ethernet Switch for industrial Ethernet networks
with M12 system cabling



Unmanaged	IP 67	PROFINET compatible <input checked="" type="checkbox"/>	EtherNet/IP compatible <input type="checkbox"/>
-----------	-------	---	---

Number of ports, Copper / Termination 5x 10/100Base-T(X) / M12, D-coding (female)

Input voltage / Termination 24 V DC / M12, A-coding (male), redundant power supply

Permissible range (min/max) 16.8 V to 30 V DC

Input current approx. 110 mA (at 24 V DC)

Housing material Zinc die-cast

Dimensions (W x H x D) 45 x 120 x 87 mm (without connectors)

Weight approx. 0.8 kg

Operating temperature -40 °C to +70 °C

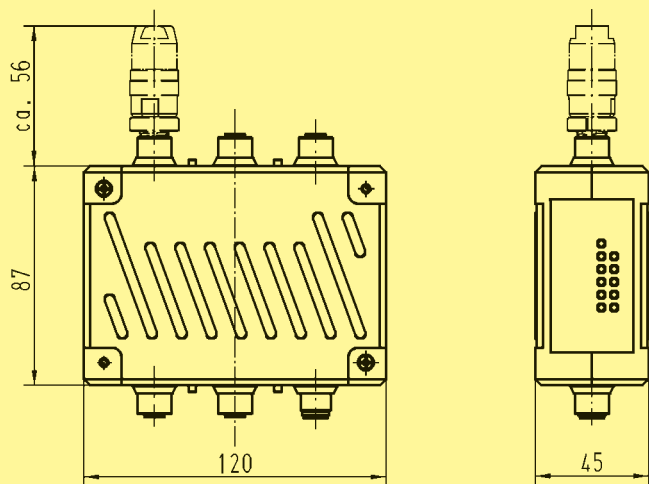
Approvals cUL (in preparation)

eCon 7000

Identification	Part number	Drawing	Dimensions in mm
----------------	-------------	---------	------------------

HARTING eCon 7050-B
Ethernet Switch, unmanaged
5 ports, M12, D-coding

20 70 305 3941





Ethernet Switch HARTING eCon 7050-A1

5-port Ethernet Switch with extended input voltage range
for use in harsh industrial environments

Unmanaged	IP 67	PROFINET compatible <input checked="" type="checkbox"/>	EtherNet/IP compatible <input type="checkbox"/>
-----------	-------	---	---

Number of ports, Copper / Termination	5x 10/100Base-T(X) / Han® 3 A RJ45 (female)*
Input voltage / Termination	24 / 48 V DC / Han® 4 A (male)*, redundant power supply
Permissible range (min/max)	12 V to 60 V DC
Input current	approx. 110 mA (at 24 V DC)
Housing material	Zinc die-cast
Dimensions (W x H x D)	45 x 120 x 87 mm (without connectors)
Weight	approx. 0.8 kg
Operating temperature	-40 °C to +70 °C
Approvals	cUL (in preparation)

Identification	Part number	Drawing	Dimensions in mm
HARTING eCon 7050-A1 Ethernet Switch, unmanaged 5 Han® 3 A RJ45 ports	20 70 305 3923		

* Order insert fixing screw 09 20 000 9918 separately

Ethernet Switch HARTING eCon 7050-B

5-port Ethernet Switch for industrial Ethernet networks
with extended input voltage range with M12 system cabling



Unmanaged	IP 67	PROFINET compatible <input checked="" type="checkbox"/>	EtherNet/IP compatible <input type="checkbox"/>
-----------	-------	---	---

Number of ports, Copper / Termination 5x 10/100Base-T(X) / M12, D-coding (female)

Input voltage / Termination 24 / 48 V DC / M12, A-coding (male), redundant power supply

Permissible range (min/max) 12 V to 60 V DC

Input current approx. 110 mA (at 24 V DC)

Housing material Zinc die-cast

Dimensions (W x H x D) 45 x 120 x 87 mm (without connectors)

Weight approx. 0.8 kg

Operating temperature -40 °C to +70 °C

Approvals cUL (in preparation)

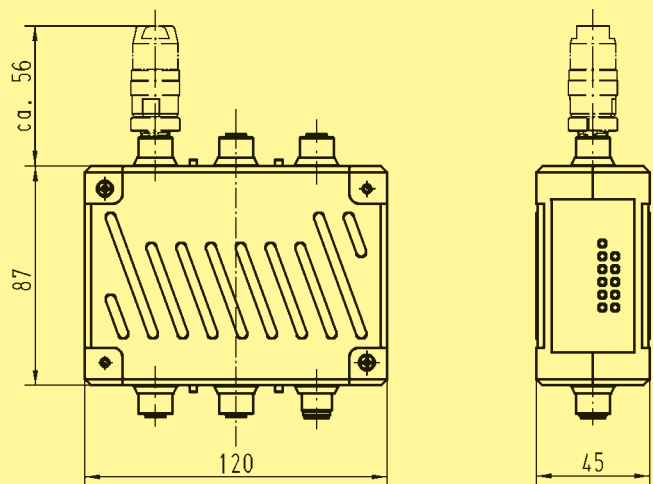
eCon 7000

Identification	Part number	Drawing	Dimensions in mm
----------------	-------------	---------	------------------

HARTING eCon 7050-B1

Ethernet Switch, unmanaged
5 ports, M12, D-coding

20 70 305 3943



Ethernet Switch
HARTING eCon 7100-A
 10-port Ethernet Switch for use
 in harsh industrial environments



Unmanaged	IP 67	PROFINET compatible <input checked="" type="checkbox"/>	EtherNet/IP compatible <input type="checkbox"/>
-----------	-------	---	---

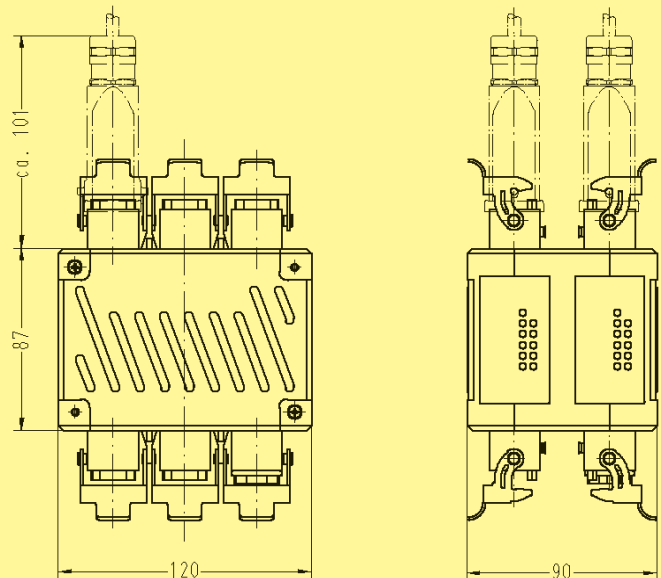
Number of ports, Copper / Termination	10x 10/100Base-T(X) / Han® 3 A RJ45 (female)*
Input voltage / Termination	24 V DC / Han® 4 A (male)*, redundant power supply
Permissible range (min/max)	16.8 V to 30 V DC
Input current	approx. 180 mA (at 24 V DC)
Alarm signalling contact	Change-over contact, potential-free, 24 V DC / 0.5 A Han® 3 A (male)*
Housing material	Zinc die-cast
Dimensions (W x H x D)	90 x 120 x 87 mm (without connectors)
Weight	approx. 1.4 kg
Operating temperature	-40 °C to +70 °C
Approvals	cUL (in preparation)

eCon 7000

Identification	Part number	Drawing	Dimensions in mm
----------------	-------------	---------	------------------

HARTING eCon 7100-A
 Ethernet Switch, unmanaged
 10 Han® 3 A RJ45 ports

20 70 310 3921



* Order insert fixing screw 09 20 000 9918 separately



Ethernet Switch HARTING eCon 7100-B

10-port Ethernet Switch for industrial Ethernet networks with M12 system cabling

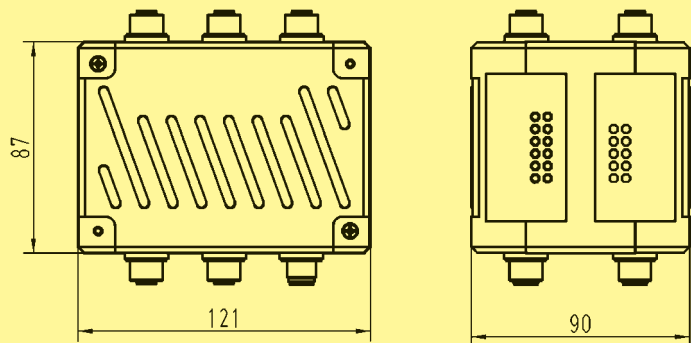
Unmanaged	IP 67	PROFINET compatible <input checked="" type="checkbox"/>	EtherNet/IP compatible <input type="checkbox"/>
-----------	-------	---	---

Number of ports, Copper / Termination	10x 10/100Base-T(X) / M12, D-coding (female)
Input voltage / Termination	24 V DC / M12, A-coding (male), redundant power supply
Permissible range (min/max)	16.8 V to 30 V DC
Input current	approx. 180 mA (at 24 V DC)
Alarm signalling contact	Change-over contact, potential-free, 24 V DC / 0.5 A M12, D-coding (male)
Housing material	Zinc die-cast
Dimensions (W x H x D)	90 x 120 x 87 mm (without connectors)
Weight	approx. 1.4 kg
Operating temperature	-40 °C to +70 °C
Approvals	cUL (in preparation)

Identification	Part number	Drawing	Dimensions in mm
----------------	-------------	---------	------------------

HARTING eCon 7100-B
Ethernet Switch, unmanaged
10 ports, M12, D-coding

20 70 310 3941



Ethernet Switch
HARTING eCon 7100-AA
 10-port Ethernet Switch for use
 in harsh industrial environments with 2 Gigabit ports



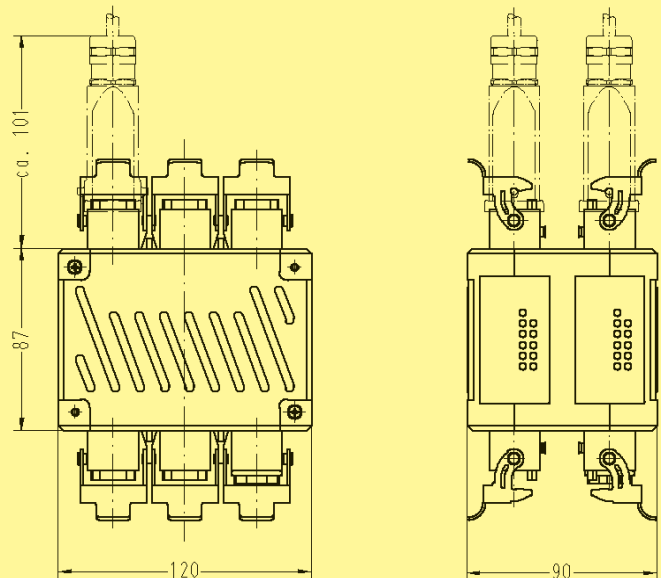
Unmanaged	IP 67	PROFINET compatible <input checked="" type="checkbox"/>	EtherNet/IP compatible <input type="checkbox"/>
-----------	-------	---	---

Number of ports, Copper / Termination	8x 10/100Base-T(X) / Han® 3 A RJ45 (female)* 2x 10/100/1000Base-T(X) / Han® 3 A RJ45 (female)*
Input voltage / Termination	24 / 48 V DC / Han® 4 A (male)*, redundant power supply
Permissible range (min/max)	12 V to 60 V DC
Input current	approx. 230 mA (at 24 V DC)
Alarm signalling contact	Change-over contact, potential-free, 24 V DC / 0.5 A Han® 3 A (male)*
Housing material	Zinc die-cast
Dimensions (W x H x D)	90 x 120 x 87 mm (without connectors)
Weight	approx. 1.4 kg
Operating temperature	-40 °C to +70 °C
Approvals	cUL (in preparation)

Identification	Part number	Drawing	Dimensions in mm
----------------	-------------	---------	------------------

HARTING eCon 7100-AA
 Ethernet Switch, unmanaged
 10 Han® 3 A RJ45 ports

20 70 310 3924



* Order insert fixing screw 09 20 000 9918 separately