

**Ethernet Switch**  
**HARTING eCon 7100-A**  
 10-port Ethernet switch for use  
 in harsh industrial environments



unmanaged

IP 65

PROFINET compatible

EtherNet/IP compatible

Number of ports, Copper / Termination 10x 10/100Base-TX / Han® 3 A RJ45 (female)\*

Input voltage / Termination 24 V DC / Han® 4 A (male)\*, redundant power supply

Permissible range 16.8 V to 30 V DC

Input current approx. 180 mA (at 24 V DC)

Alarm signalling contact Change-over contact, potential-free, 24 V DC / 0.5 A  
 Han® 3 A (male)\*

Housing material Zinc die-cast

Dimensions (W x H x D) 90 x 120 x 87 mm (without connectors)

Weight approx. 1.4 kg

Operating temperature – 40 °C to + 70 °C

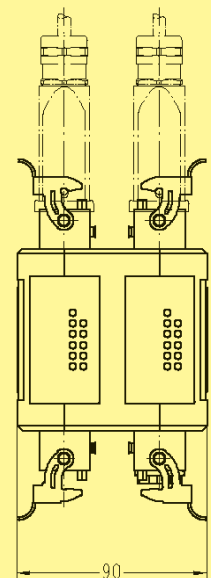
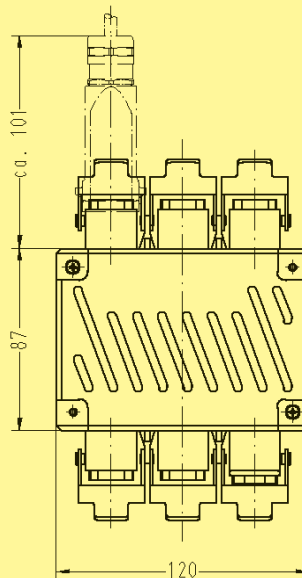
Approvals cUL (in preparation)

eCon 7000

Identification	Part number	Drawing	Dimensions in mm
----------------	-------------	---------	------------------

HARTING eCon 7100-A  
 Ethernet switch, unmanaged  
 10 ports Han® 3 A RJ45

20 70 310 3921



\* Order insert fixing screw 09 20 000 9918 separately