



**Ethernet Switch**  
**HARTING eCon 7050-A**  
 5-port Ethernet switch for use in harsh industrial environments

unmanaged

IP 67

PROFINET compatible

EtherNet/IP compatible

Number of ports, Copper / Termination 5x 10/100Base-TX / Han® 3 A RJ45 (female)\*

Input voltage / Termination 24 V DC / Han® 4 A (male)\*, redundant power supply

Permissible range 16.8 V to 30 V DC

Input current approx. 110 mA (at 24 V DC)

Housing material Zinc die-cast

Dimensions (W x H x D) 45 x 120 x 87 mm (without connectors)

Weight approx. 0.8 kg

Operating temperature – 40 °C to + 70 °C

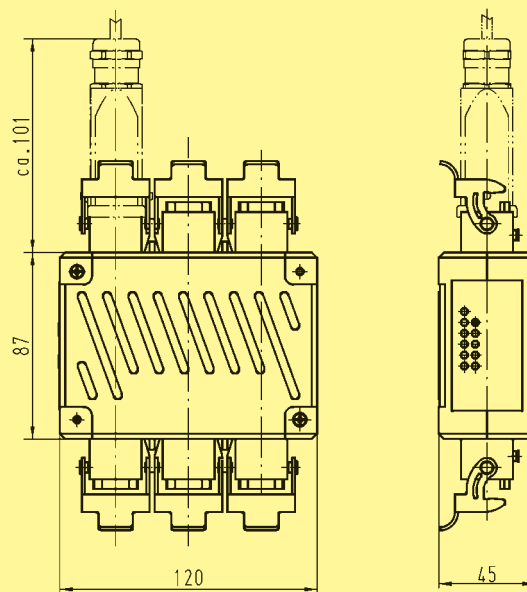
Approvals cUL (in preparation)

eCon 7000

| Identification | Part number | Drawing | Dimensions in mm |
|----------------|-------------|---------|------------------|
|----------------|-------------|---------|------------------|

HARTING eCon 7050-A  
 Ethernet switch, unmanaged  
 5 ports Han® 3 A RJ45

20 70 305 3921



\* Order insert fixing screw 09 20 000 9918 separately