



**Ethernet Switch**  
**HARTING eCon 6080-HA**  
 In-between Ethernet switch for hybrid line topologies

unmanaged

IP 65 / IP 20

PROFINET compatible

EtherNet/IP compatible

Number of ports, Copper / Termination 8x 10/100Base-TX / 2x Han® 3 A RJ45 (IP 65 / IP 67)\*  
 6x RJ45 (Twisted Pair, IP 20)

Input voltage / Termination 24 V DC / 5-pole screw terminal, pluggable  
 redundant power supply  
 6-pole screw terminal, pluggable, for hybrid supply

Permissible range 12 V to 30 V DC

Input current approx. 150 mA (at 24 V DC)

Alarm signalling contact Change-over contact, potential-free, 24 V DC / 0.5 A  
 (control cabinet)  
 3-pole pluggable screw contact

Housing material Aluminium die-cast

Dimensions (W x H x D) 105 x 40 x 105 mm (without connectors)

Weight approx. 0.6 kg

Operating temperature 0 °C to + 55 °C

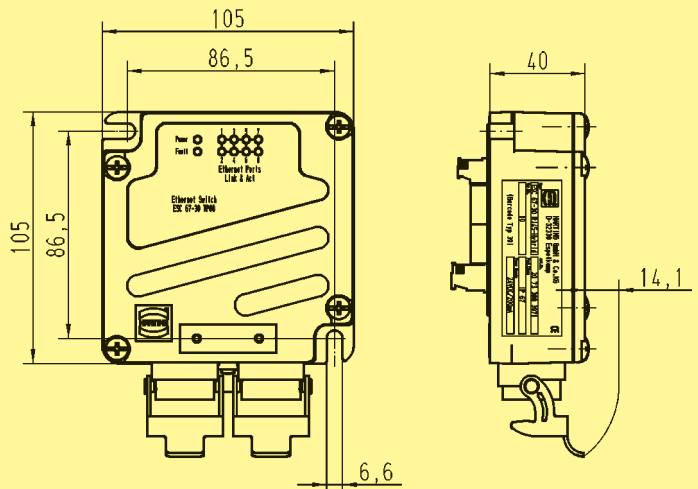
Approvals cUL (in preparation)

eCon 6000

Identification	Part number	Drawing	Dimensions in mm
----------------	-------------	---------	------------------

HARTING eCon 6080-HA  
 Ethernet switch Hybrid  
 8 ports

20 73 308 3972



\* Order insert fixing screw 09 20 000 9918 separately