

Features

- Short and robust construction
- Compact design
- Easy and quick assembly
- Vibration resistant
- Use of standard D-Sub contacts is possible

Technical characteristics

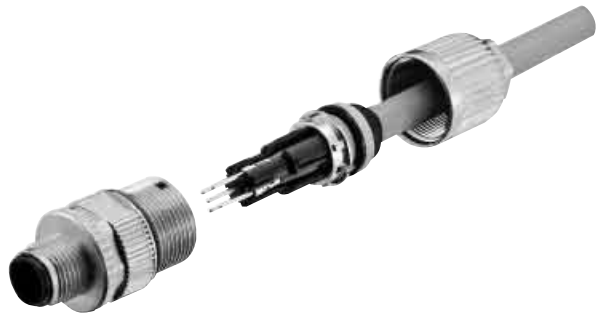
Number of contacts	5
Rated current	4 A
Rated voltage	32 V
Termination	Crimp termination
Wire gauge	AWG 22 - 20 0.34 - 0.5 mm ²
Diameter of individual strands	1.5 - 2.3 mm
Wire diameter	5.0 - 8.5 mm
Flammability acc. to UL 94	V 0

Accessories

	Part-Number	Depiction
Crimping tool	09 99 000 0501	
Locator	61 03 600 0023	

Contacts

	Part-Number	Drawing	Dimensions in mm																					
Crimp contacts Turned male contacts AWG 22 - 20 / 0.33 - 0.52 AWG 26 - 22 / 0.13 - 0.35	61 03 000 0073		<table border="1"> <thead> <tr> <th></th> <th>a</th> <th>b</th> <th>c</th> <th>d</th> <th>e</th> <th>f</th> </tr> </thead> <tbody> <tr> <td>AWG 22 - 20</td> <td>8.10</td> <td>4.0</td> <td>14.8</td> <td>1.12</td> <td>1.66</td> <td>14.4</td> </tr> <tr> <td>AWG 26 - 22</td> <td>8.10</td> <td>4.0</td> <td>14.8</td> <td>0.90</td> <td>1.66</td> <td>14.4</td> </tr> </tbody> </table>		a	b	c	d	e	f	AWG 22 - 20	8.10	4.0	14.8	1.12	1.66	14.4	AWG 26 - 22	8.10	4.0	14.8	0.90	1.66	14.4
				a	b	c	d	e	f															
AWG 22 - 20	8.10	4.0	14.8	1.12	1.66	14.4																		
AWG 26 - 22	8.10	4.0	14.8	0.90	1.66	14.4																		
61 03 000 0094																								
Turned female contacts AWG 22 - 20 / 0.33 - 0.52 AWG 26 - 22 / 0.13 - 0.35	61 03 000 0074																							
	61 03 000 0096																							



M12 Connector for Field Assembly

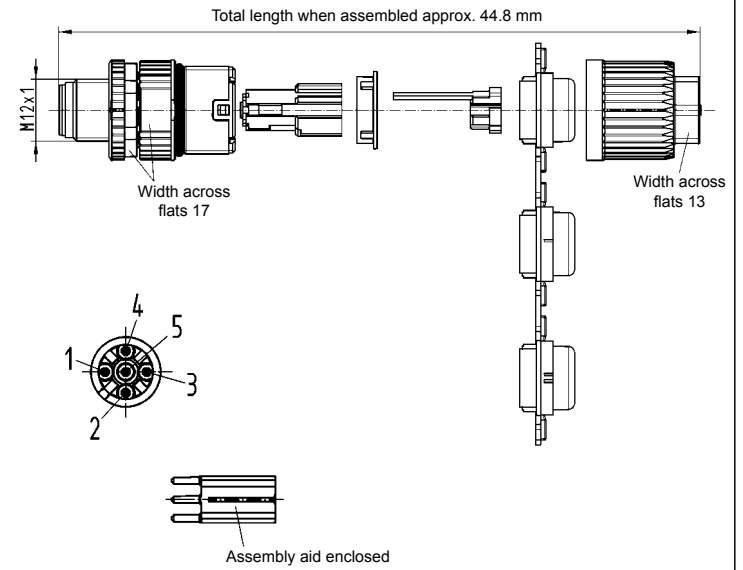
Identification	Part-Number	Drawing	Dimensions in mm
----------------	-------------	---------	------------------

Han® M12 Crimp

Male, A-coding



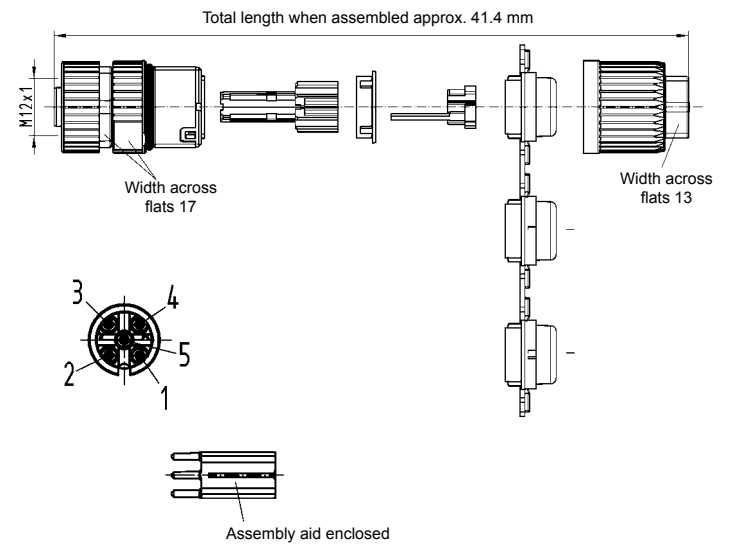
21 03 812 1505



Female, A-coding



21 03 812 2505



Order crimp contacts separately